

150W LED HIGHBAY UFO



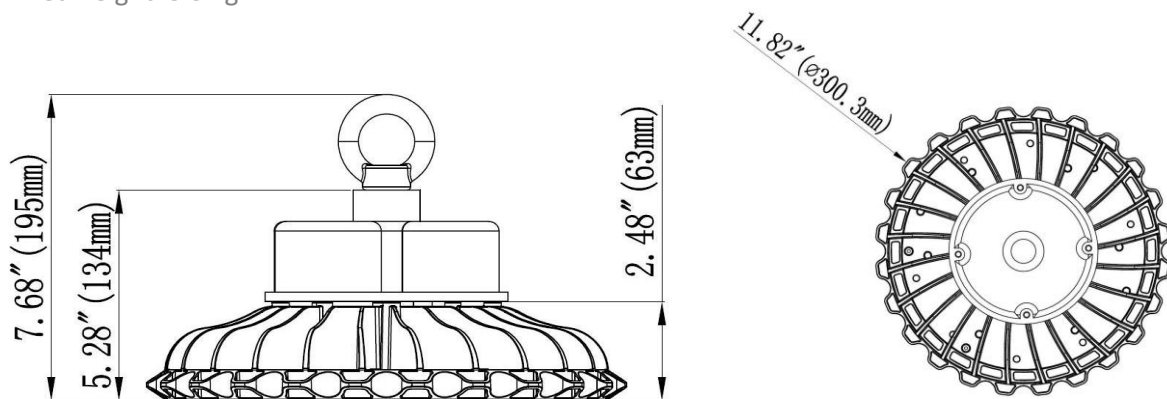
- LUMILEDS LED, high luminous efficiency (18000 Lumens) and more durable.
60% energy savings compared to 400W Metal Halide highbays. 50000 hours system lifetime.
- High efficiency LED Driver with wide range input voltage AC120-277V
- Magnesium alloy cooling design, excellent heat dissipation system and light in weight
- Comes with 3.0 meter power core and mounting hook.
- Instantly start up, compared to the old slow warm-up type.

■ Structure features

Housing materials: Magnesium Alloy

Finish color: Black

Net weight: 3.5 kg



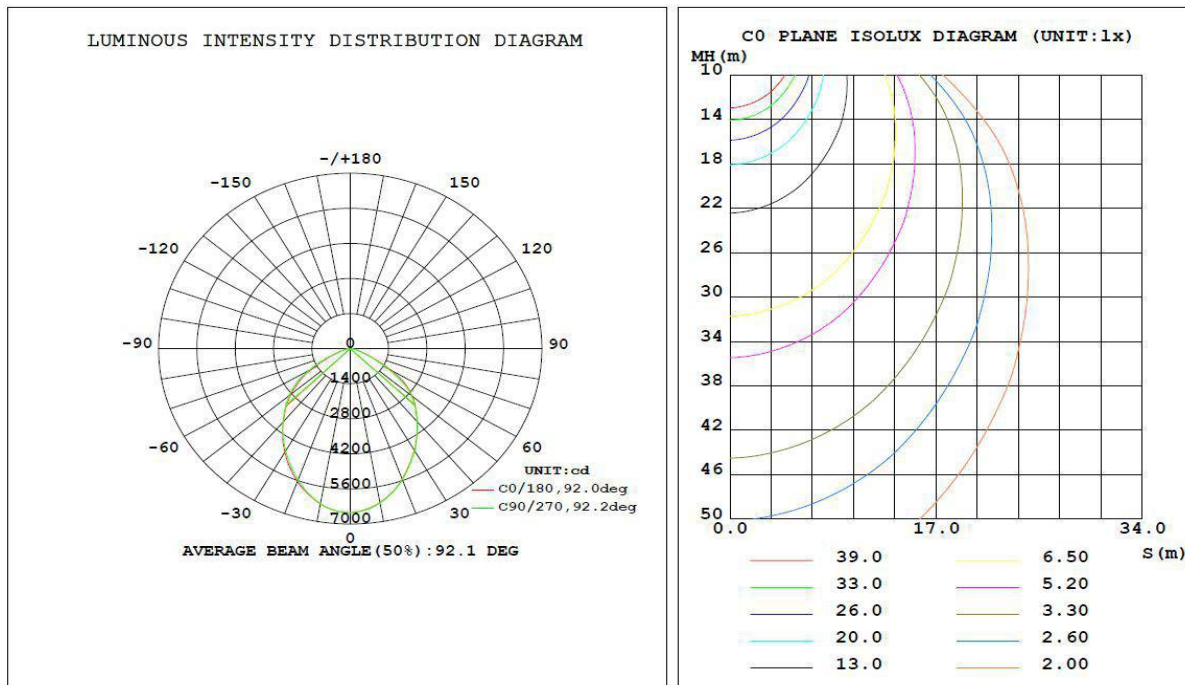
150W LED HIGHBAY UFO

■ Technical Specification

Power Consumption: 150W
 Design Lifetime: > 50,000 hrs
 Color Temperature: 5000K (Sunlight)
 Light Beam Spread: 80°
 Luminous Flux: 18000 LM
 LED Brightness Decay: < 5% per 6000 hrs
 Dimmable: No
 Dimension: OD. 300.3 x H.134 x Total Height 195 mm
 Cable: 3.0 m (3 core, 18AWG) without plug
 Driver: Included
 Warranty period: 3 years

Input Voltage: AC120-277V
 Power Factor: > 0.95
 Driver Efficiency: > 90%
 Color Rendering Index: Ra > 75
 Working Temperature: -30°C to +45°C
 Storage Temperature: -40°C to +80°C
 Protection Level: IP54 / Damp place

■ Irradiation Area (80° Lens)



■ Ordering Guide

LED UFO Highbay 150W
 Model: LU-HB-UFO-150W
 Color Temperature: 5000K
 Finish Color: Black